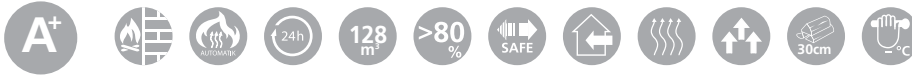


Polar Neo Eck



Standard scope of delivery

- » Automatic primary air control
- » ORANIER safe-locking-system
- » Height-adjustable feet
- » Standard external combustion air connection
- » Profiled vermiculite firebox lining
- » Solid cast iron door / cast iron base
- » Extra large ash tray
- » Stone / ceramic designs – Cover plate, sides and warming compartment in stone/ceramic

The connecting piece for external combustion air supply is not included in the scope of delivery.



Stone panelling

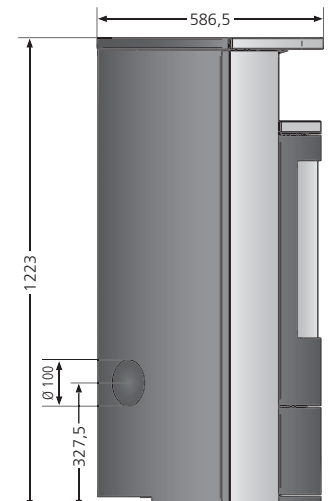
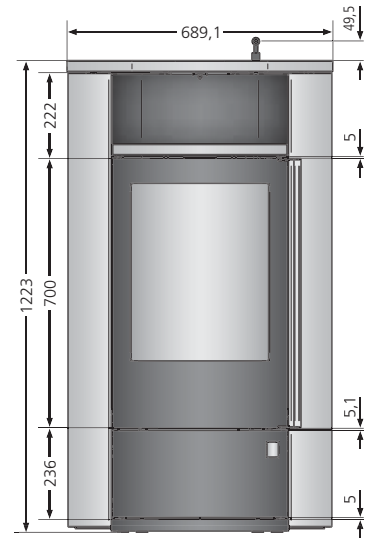
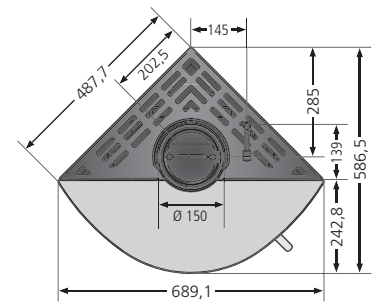


Automatic primary air control



Height-adjustable feet

Installation flush to the wall possible



Technical Data

Energy efficiency class		A+
Connection possibility		top
Operation with external air		rear left + right / bottom
Nominal heat output	kW	6,5
Weight (incl. packaging) steel / stone, ceramic	kg	173 / 230
Room heating capacity	m ³	128
Length of logs	cm	30
Exhaust gas mass flow	g/s	6,3
Exhaust gas temperature	°C	261
Required discharge pressure	mbar	0,12

For all technical data please see pages 88 to 91.

Available designs	Order number	EAN-Code
Polar Neo Eck, steel black	5486 11	4029808556751
Polar Neo Eck, Soapstone, corpus steel black	5486 23	4029808559974
Polar Neo Eck, Sandstone, corpus steel black	5486 42	4029808559981
Polar Neo Eck, ceramic Namib, corpus steel black	5486 84	4029808559998
Polar Neo Eck, ceramic Silk white, corpus steel black	5486 85	4029808560000
Polar Neo Eck, ceramic Pepper red, corpus steel black	5486 86	4029808560017
Polar Neo Eck, ceramic Grappa, corpus steel black	5486 87	4029808560024
Optional accessories		
Connecting piece for external combustion air supply	9200 69	4029807779991
Cast iron door for wood storage black Polar Neo Eck	9215 54	4029808573437
OrKa-CONTROL (for description please see page 82)	9214 74	4029808540064
Double wall pipe black	9215 19	4029808561717